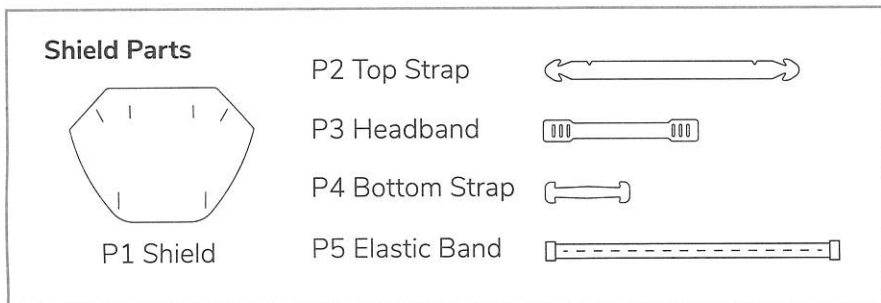
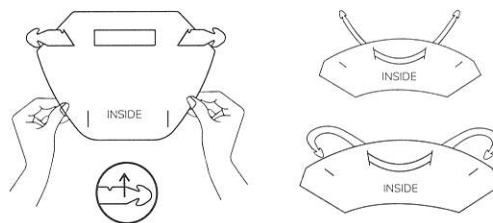
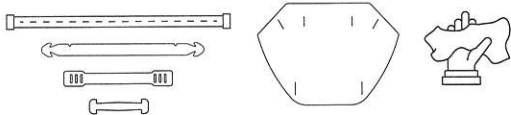


**PART A ASSEMBLY INSTRUCTIONS**

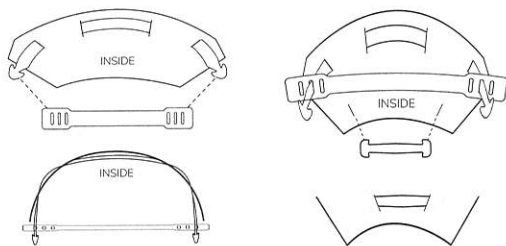
Instructional Video  
[bit.ly/CANSHIELD](http://bit.ly/CANSHIELD)



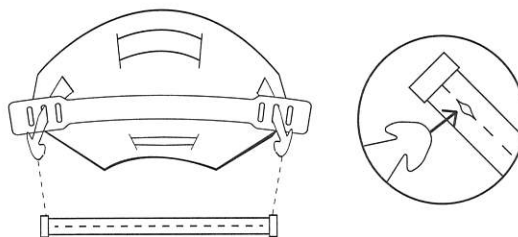
**Step 1: Inspect & Sterilize** - Use either a) alcohol based sanitizer/wipes, b) glutaraldehyde based solutions, or c) 10:1 diluted sodium hypochlorite bleach solution, wipe down both sides of all plastic components. Follow individual label guidelines for contact times - one minute for diluted bleach solution.



**Step 2A: Assemble** - Wearing gloves, locate P1 and P2. Insert each side of P2 into the inner most slots on P1. The arrow tabs on P1 should be facing away from you. Next, bend P2 to re-insert the arrow tabs, towards you, through the outer most slots on P1.



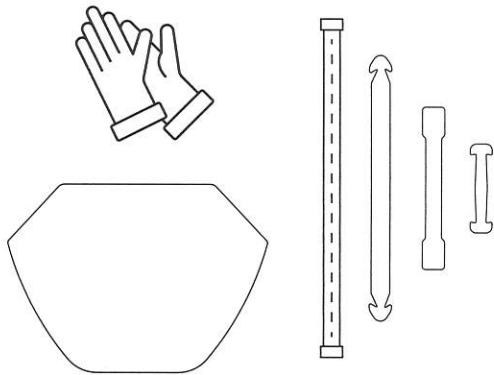
**Step 2B: Assemble** - Locate P3 and slide it over the arrow tabs from the inside of the shield. Use the slots to adjust how flat or concaved the shield is. Next, locate P4 and slide it into the slots on the bottom of the shield, from the inside.



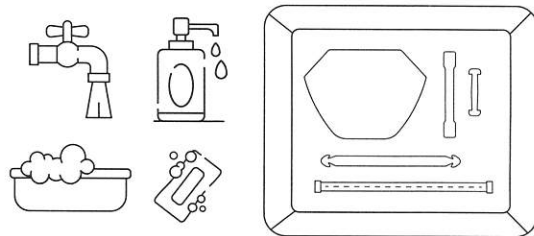
**Step 2C: Assemble** - Locate P5 and attach it to P2 by inserting the arrow tab into one of the buttonholes on P5. To make the shield looser or tighter adjust the position of the arrow tab into a new slot on P5.

**PART B SANITIZING INSTRUCTIONS**

**Step 1: Disassemble** - Wearing gloves, disassemble your Shield, in the reverse order of the Assembly Instructions.

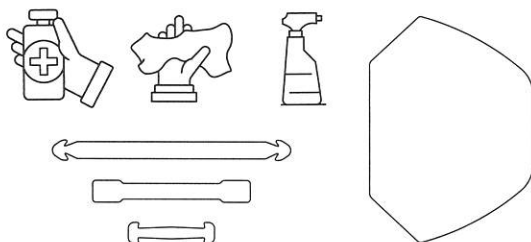


**Step 2: Clean** - Using soap and warm water in a basin or sink, soak all parts of the Shield to remove any organic residue. (If the Shield will not be immediately reused, they can remain soaking indefinitely.)

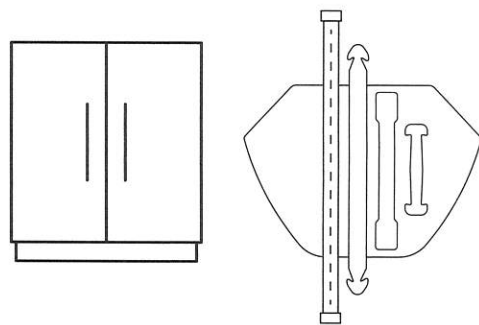


Using a cloth or paper towel, gently scrub all plastic parts to remove any residue. Hand agitate cloth elastic bands thoroughly - they may also be machine washed or autoclaved.

**Step 3: Sanitize** - Dry plastic parts with cloth or paper towel. Use either a) alcohol based sanitizer/wipes, b) glutaraldehyde based solutions, or c) 10:1 diluted sodium hypochlorite bleach solution, wipe down both sides of all plastic components. Follow individual label guidelines for contact times - one minute for diluted bleach solution.



**Step 4: Dry & Store** - Store Shield in a sanitary environment, in a disassembled state until next use.



Prior to next use, please refer to "Part A - Assembly Instructions" on reverse side.

**DISCLAIMER:** The information in this document is for educational and informative purposes only, does not constitute legal or professional advice, and is not guaranteed to be accurate, complete or up-to-date. Community Living Toronto makes no representations or recommendations as to the accuracy of the information and you should not rely on this document without seeking professional advice. Use of and reliance on any information in this document is at your own risk.